

## For Residential and Commercial Applications

Job Name		Engineer / Architect	
Job Location		Wholesaler	
Submittal Date		Contractor	

### NV104 Series Humidifier Angle Valve - Compression x Male Iron Pipe

**Use:** For use with automotive & industrial applications for instrumentation, hydraulic and pneumatic systems. Not intended for use with natural gas, LPG (liquefied petroleum gas or propane), nuclear or avionic (aircraft) applications

**Design Features:**

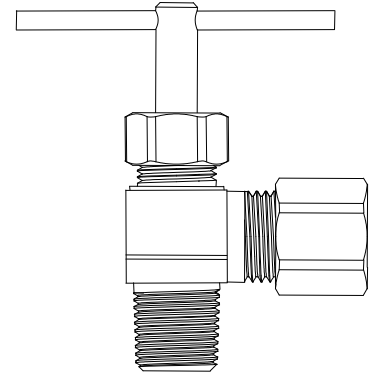
- Positive sealing & flow adjustment up to the capacity of the valve
- Metal-to-metal seats with a fine thread engagement

**Operating Specifications:**

**Temperature:** -65° F to 250° F

*Water Applications* 40° F to 140° F,  
115° F maximum continuous use temperature

**Working Pressure:** 150 PSI maximum

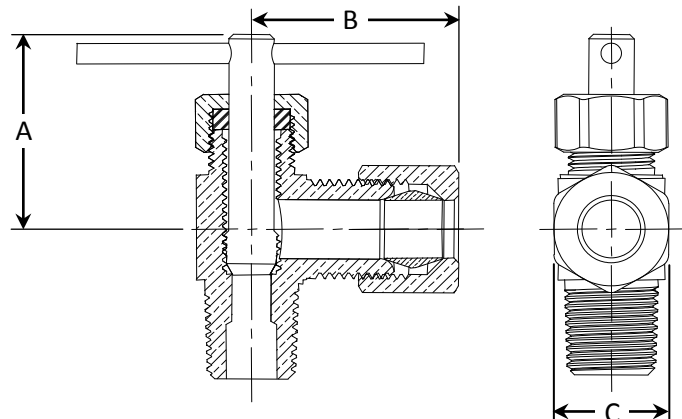


MATERIAL SPECIFICATIONS	
<b>Valve Body</b>	C36000 brass
<b>Stem</b>	C36000 brass
<b>Handle</b>	Steel
<b>Nuts</b>	C36000 brass
<b>Rubber Washer</b>	EPDM
<b>Compression Ring</b>	C36000 brass

PART DIMENSIONS (Inches)				
Model	Straight Thread	DIM. A	DIM. B	HEX. C
		Closed		
NV104-4-2	7/16-24	1.73	.52	.95
NV104-4-4	7/16-20	1.80	.68	.75
NV104-5-2	1/2-20	1.63	.63	.68
NV104-6-4	5/8-18	1.64	.78	.81

**Part Listing:**

- NV104-4-2      1/4" O.D. Compression x 1/8" M.I.P.
- NV104-4-2 B      1/4" O.D. Compression x 1/8" M.I.P., bulk
- NV104-4-4      1/4" O.D. Compression x 1/4" M.I.P.
- NV104-4-4 B      1/4" O.D. Compression x 1/4" M.I.P., bulk
- NV104-5-2      5/16" O.D. Compression x 1/8" M.I.P.
- NV104-6-4      3/8" O.D. Compression x 1/4" M.I.P.
- NV104-6-4 B      3/8" O.D. Compression x 1/4" M.I.P., bulk



*This specification and all information contained herein is the confidential and exclusive property of BrassCraft Manufacturing, and shall not be disclosed to others without the written consent of BrassCraft. This specification must be returned to BrassCraft if requested.*

**BrassCraft®**